

Reprocessed by



Sustainability Solutions

Instructions for Use


Reprocessed LigaSure Impact™ Curved, Large Jaw, Open Sealer/Dividers

Reprocessed Device for Single Use

Caution: Federal (U.S.A.) law restricts this device to sale by or on the order of a physician.

- STERILE
- NOT MADE WITH NATURAL RUBBER LATEX

Explanation of Symbols

 Sterilized by Ethylene Oxide Gas



Date of Reprocessing



Use by Date



Do Not Reuse



See Instructions For Use

LF4318

Compatible with:

FORCETRIAD SW v3.5 – v4.0

VLFT10GEN SW v1.1 – v2.0.1.13

NOTE: Devices with a Valleylab Plug are **NOT** compatible with VLFT10GEN SW v1.1.5.4 or higher

Reprocessed LigaSure Impact™ Curved, Large Jaw, Open Sealer/Dividers Description

The Reprocessed LigaSure Impact™ Curved, Large Jaw, Open Sealer / Divider (LF4318) is a hand-held bipolar electro-surgical instrument designed for use with Covidien electro-surgical generators that include vessel sealing capability. Please refer to the cover page for details on compatible generator models and software versions. If the software version on your generator is lower than required, contact Covidien about software upgrades.

The instrument has a shaft diameter of 13.5 mm (square), shaft length of 18 cm, and a jaw length of 36 mm. The following controls are located on the instrument handle:

- A lever for opening and closing the instrument jaws. The mechanism incorporates a latch to hold the jaws in the closed position during vessel sealing and cutting.
- An activation button for generator power to initiate vessel sealing.
- A trigger for actuating the cutter.
- A knob to rotate the instrument jaws.

All controls can be operated with either the right or left hand. Vessel sealing can be initiated using the activation button or utilizing a footswitch connected to the generator.

Maximum rated voltage: 288 V_{peak}

Indications for Use

The Reprocessed LigaSure Impact™ Curved, Large Jaw, Open Sealer / Divider (LF4318) is a dedicated bipolar electro-surgical instrument intended for use in open surgical procedures where ligation and division of vessels is desired. The LF4318 is intended to be used with the Covidien electro-surgical generators that include vessel sealing capability to cut and seal vessels, and to cut, grasp, and dissect tissue during surgery. The indications for use include open procedures (general, urologic, vascular, thoracic, and gynecological) where ligation and division of vessels is performed. These procedures include vaginal hysterectomies, Nissen fundoplication, colectomy, adhesiolysis, oophorectomy, etc. The LF4318 can be used on vessels (arteries, veins, pulmonary vasculature, and lymph) up to and including 7 mm and tissue bundles.

The LigaSure™ system has not been shown to be effective for tubal sterilization or tubal coagulation for sterilization procedures. Do not use the LigaSure™ system for these procedures.



Defibrillation-proof type CF applied part

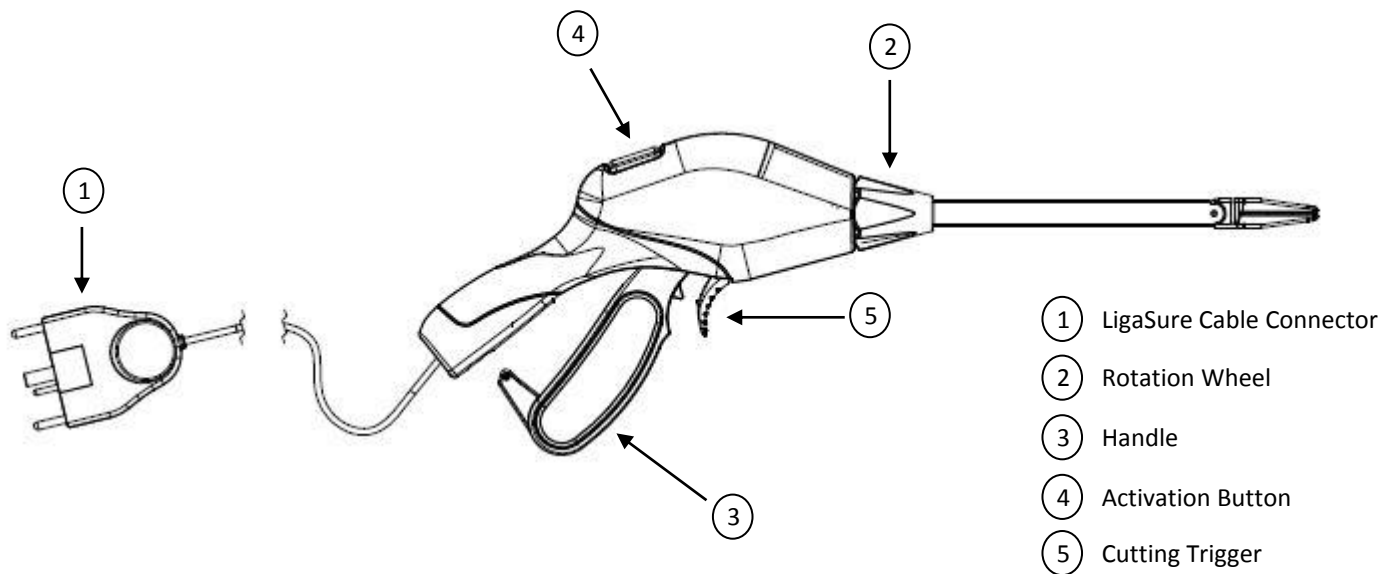
Contraindications for Use

Reprocessed LigaSure Impact™ Curved, Large Jaw, Open Sealer/Dividers Description are contraindicated for:

- None

Warnings

- The LF4318 instrument is intended for use ONLY with the equipment listed on the cover of this document. Use of this instrument with other generators may not result in the desired tissue effect, may result in injury to the patient or surgical team, or may cause damage to the instrument.
- Do not use the LigaSure System unless properly trained to use it in the specific procedure being undertaken. Use of this equipment without such training may result in serious unintended patient injury.
- Use caution during surgical cases in which patients exhibit certain types of vascular pathology (atherosclerosis, aneurysmal vessels, etc.). For best results, apply the seal to unaffected vasculature.
- Do not use this instrument on vessels in excess of 7 mm in diameter.
- These instruments are only intended for use by individuals with adequate training and familiarity with the specific procedure being undertaken. Use of this equipment without such training may result in serious unintended patient injury. For further information about techniques, complications and hazards, consult the medical literature.
- Package is provided sterile by method of ethylene oxide gas and is for single patient use only. Do not use if there is any evidence of damage to the package.



Directions for Use

1. Before beginning the procedure, verify overall compatibility of all instruments and accessories.
2. Inspect packaging before opening. The contents of the package are sterile if the package has not been compromised. Do not use the instrument if the sterility has been compromised. If the package is damaged or if it was opened and the instrument not used, return the instrument and the package to Stryker.
3. Do not attempt to resterilize. Stryker will not accept instruments for reprocessing that have been reprocessed and sterilized by other facilities.
4. Remove the instrument from the package by firmly pulling on the handle, taking care not to pull on the instrument's jaws or connector cable. Place it in a sterile work area using aseptic technique.
5. Inspect the instrument for overall condition and physical integrity. Do not use the instrument if any damage is noted. Return the instrument and packaging to Stryker if it is not in acceptable condition for the procedure.
6. Follow a suitable surgery protocol.
7. Instrument is intended for use during single patient procedure.

Set Up

Warning

- **Electrical Shock Hazard** - Do not connect wet accessories to the LigaSure system.
- Confirm proper energy platform settings before proceeding with surgery. Inspect the instrument and cords for breaks, cracks, nicks, or other damage before use. Failure to observe this caution may result in injury or electrical shock to the patient or surgical team, or cause damage to the instrument. If damaged, do not use.
- Position instrument cords to avoid contact with the patient or other leads. Do not wrap cords around metal objects. This may induce currents that can lead to shocks, fires, or injury to the patient or surgical team.
- Ensure all connections to the energy platform and all instruments and accessories are secure before using. Improper connection may result in arcs, sparks, accessory malfunction, or unintended surgical effects.
- Insert the connector into the receptacle on the generator. Follow the instructions in the generator user's guide to complete the setup procedure.

LigaSure function During Surgery

Warning

- **Fire Hazard** - Do not place instruments near or in contact with flammable materials (such as gauze or surgical drapes). Instruments that are activated or hot from use may cause a fire. When not using instruments, place them in a clean, dry, highly visible area not in contact with the patient. Inadvertent contact with the patient may result in burns.
- Use the system with caution in the presence of internal or external pacemakers. Interference produced by the electrosurgical equipment can cause a pacemaker to enter an asynchronous mode or block the pacemaker effect entirely. Consult the pacemaker manufacturer or hospital cardiology department for further information when use in planned in patients with cardiac pacemakers.

- The jaws may remain hot enough to cause burns after the RF current is deactivated. When not using instruments, place them in a clean, dry, highly visible area not in contact with the patient. Inadvertent contact with the patient may result in burns.
- Place the vessel or tissue in the center of the jaws. To avoid incomplete sealing, do not grasp tissue beyond the electrode surface; do not place tissue in the jaw hinge.
- Contact between an active instrument electrode and any metal object (hemostats, staples, clips, retractors, etc.) may increase current flow and can result in unintended surgical effects, such as an effect at an unintended site or insufficient energy disposition.
- Conductive fluids (e.g., blood or saline) in direct contact with or in close proximity to the instrument may carry electrical current or heat. This may cause unintended burns to the patient. Remove fluid from around the instrument jaws before activation of the instrument.
- Always keep the external surface of the instrument jaws away from adjacent tissue while activating the instrument.
- During a seal cycle, energy is applied to the area between the instrument jaws. This energy may cause fluid to be converted into steam. The thermal energy of steam may cause unintended injury in close proximity to the jaws. Care should be taken in surgical procedures occurring in confined spaces in anticipation of this possibility.
- Do not activate RF energy until the handle has been properly latched. Activating the device before this is done may result in improper sealing and may increase thermal spread to tissue outside the surgical site.
- Do not activate the instrument while in contact with or near other instruments, including cannulas. Localized burns to the patient or physician may occur.
- Keep the cord free from the jaw and latch area of the instrument.
- Eliminate tension on the tissue while sealing and cutting to ensure proper function.
- Do not attempt to seal over clips or staples as this may result in an incomplete seal.
- If the seal-cycle complete tone has not sounded, an optimal seal may not have been reached. Reactivate the RF energy until a seal-complete tone is heard.

Caution

- Pediatric applications and/or procedures performed on small anatomic structures may require reduced power settings. The higher the current flow and the longer the current is applied, the greater the possibility of unintended thermal damage to tissue, especially during use on small appendages.
- Activate the instrument **ONLY** when ready to deliver electrosurgical current and when the active tip is in view.

Tissue Manipulation and Dissection

- The instrument can be used to manipulate and dissect tissue with the jaws either open or closed.

Rotating the Instrument Jaws

- **Notice** – Do not turn the rotation wheel when the handle is latched. Product damage may occur.
- Turn the gray rotation wheel on the handpiece to adjust the jaw position as needed.

Sealing Vessels and Tissue Bundles

1. Open the jaws by pushing forward the white, movable handle.
2. Grasp the intended vessel and/or tissue in the center of the jaws.
3. Close the handle until it clicks and latches in place.
4. Activate the instrument by either of the following methods:
 - Press and hold the purple activation button on the back of the instrument.
 - By using an appropriate footswitch associated with the generator.

Refer to the generator user's guide for footswitch instructions.

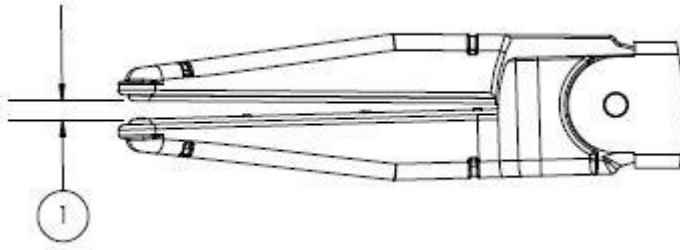
A continuous tone sounds to indicate that the vessel or tissue is being sealed. When the activation cycle is complete, a double end tone sounds and the energy platform discontinues RF output.

5. Release the purple activation button on the instrument, or the footswitch pedal when the seal cycle is complete.
6. To seal adjacent tissue, overlap the edge of the existing seal. The second seal should be distal to the first seal to increase seal margin. Failure to overlap seals when a second seal is desired may compromise seal integrity.

Cutting Tissue

Warning

Do not overfill the jaws of the instrument with tissue. This may damage the cutting mechanism or cause the blade to deploy outside of its guiding features, possibly resulting in difficulty opening the jaws or unintended injury to the user or patient.



① < 2 mm – Confirm that the jaws are in the closed position prior to activating the cutter.

Caution

Energy-based devices, such as ESU pencils or ultrasonic scalpels that are associated with thermal spread should not be used to transect seals.

Notice – Do not engage the cutting mechanism over sutures, clips, staples, or other metal objects as damage to the cutter may occur.

1. Prior to cutting the seal, the surgeon can inspect the vessel or tissue to ensure proper sealing: compressed, translucent or opaque seal with signs of desiccation and visible hemostasis. If not properly sealed, repeat seal cycle, adjusting the settings if needed.
2. To engage the cutting mechanism, pull the cutting trigger completely back toward the body of the instrument. The instrument blade transects the seal an average of 2 mm from the distal end of the seal plate.
3. Open the jaws by squeezing the handle until it unlocks, then push the handle completely forward.

Cleaning the Instrument During Use

Warning

Do not activate the instrument or the cutting trigger while cleaning the jaws. Injury to operating room personnel may result.

Important: Keep the instrument jaws clean. Build-up of eschar may reduce sealing and/or cutting effectiveness. Wipe jaw surfaces and edges with a sterile, water- or saline-soaked gauze pad as needed. Do not clean instrument jaws with a scratch pad.

Troubleshooting

Alert Situations

- Note: If both the activation button and footswitch pedal are activated during the same seal cycle, the vessel sealing system delivers energy from the activation source it detects first.
- A tone with multiple pulses indicates that the seal cycle was not completed. Do not cut tissue until you have verified that there is an adequate seal.
- When an alert condition occurs, energy delivery will be terminated, resulting in an incomplete seal. After the alert condition has been corrected, the device can be reactivated.

Check Instrument/Seal Cycle Incomplete

A Check Instrument/Seal Cycle Incomplete alert condition produces a sequence of pulsed tones and an alert will be displayed on the generator. The user should inspect the seal site and instrument before proceeding. If the Check Instrument/Seal Cycle Incomplete alert appears:

1. Release the footswitch pedal or activation button.
2. Open the instrument jaws and inspect for a successful seal.
3. Follow the suggested corrective actions on the generator screen, the generator quick reference card, or in the generator user's guide.
4. If possible, reposition the instrument, regrasp tissue in another location, then reactivate the seal cycle.

Regrasp thicker tissue – For thin tissue, open the jaws and confirm that a sufficient amount of tissue is inside the jaws. If necessary, increase the amount of tissue and repeat the procedure.

Check for clips / Regrasp tissue – Avoid grasping objects such as staples, clips, or encapsulated sutures in the jaws of the instrument.

Clean electrode tips – Use a sterile, water- or saline-soaked gauze pad to clean surfaces and edges of instrument jaws.

Remove excess fluids – Minimize or remove excess fluids that pool around the instrument tip.

Reactivate/Seal Cycle Incomplete Alert

A Reactivate/Seal Cycle Incomplete alert condition produces a sequence of pulsed tones and an alert will be displayed on the generator.

If the Reactivate/Seal Cycle Incomplete alert appears, the user should:

1. Release the footswitch pedal or activation button.
2. Reactivate the seal cycle without removing or repositioning the jaws from their original position.

Reasons:

- Maximum seal cycle time has been reached. The system needs more time and energy to complete the seal.
- Seal cycle/endpoint was interrupted before the cycle was complete. The footswitch or activation button was released before the seal cycle was complete.

After Surgery

- Discard the LF4318 instrument after use according to hospital policy for biohazards and sharps.

Pre-Clinical Study Notice

There is no animal data qualified to predict the effectiveness of this device in sealing vessels containing atherosclerotic plaque.

Product performance of the device was established in a chronic in-vivo porcine model. The results showed that no animals studied experienced any hemostatic complications related to the device during the 21-day survival period. In addition, there was no evidence of thermal injury or other device-related damage to adjacent tissue. A variety of tissue types and vessels were evaluated to demonstrate effective sealing in arteries and veins up to and including 7mm.

The United States clearance of this device was not based on human clinical testing.

Vessel Type	Vessel Identification	Vessel Size Range
A/V Bundle	Splenic Mesentery	Bundles up to 2 mm
	Gastrosplenic	4 mm - 6 mm
	Short Gastric	3 mm - 7 mm
	Ovarian Pedicle	Bundles up to 7 mm
Artery	Splenic	4 mm - 6 mm
	Renal	Arteries up to 7 mm
Vein	Splenic	4 mm - 5 mm
	Renal	4 mm - 6 mm

Transport and Storage Conditions

- An ambient temperature range of -18°C to 60°C.
- Do not expose to relative humidity below 15% or above 90%.

Warranty

Reprocessed Products

Stryker warrants all reprocessed products, subject to the exceptions provided herein, to be free from defects in reprocessing and to substantially conform to the product specifications contained in the documentation provided by Stryker with the products for one use in accordance with the instructions for use of such product.

STRYKER SHALL NOT BE LIABLE FOR ANY DAMAGES TO THE EXTENT CAUSED BY ANY DEFECT IN MATERIAL, WORKMANSHIP OR DESIGN BY THE ORIGINAL MANUFACTURER OF THE PRODUCT OR ANY ACT OR OMISSION OF THE ORIGINAL MANUFACTURER OF THE PRODUCT.

Products for which Stryker is the Original Manufacturer

Stryker warrants all products for which it is the original manufacturer, subject to the exceptions provided herein, to be free from defects in design, materials and workmanship and to substantially conform to the product specifications contained in the documentation provided by Stryker with the products for a period of one year from the date of purchase.

General Warranty Terms Applicable to All Products

TO THE FULLEST EXTENT PERMITTED BY LAW, THE EXPRESS WARRANTY SET FORTH HEREIN IS THE ONLY WARRANTY APPLICABLE TO THE PRODUCTS AND IS EXPRESSLY IN LIEU OF ANY OTHER WARRANTY BY STRYKER, EXPRESSED OR IMPLIED, INCLUDING, BUT NOT LIMITED TO, ANY IMPLIED WARRANTY OR MERCHANTABILITY OR FITNESS FOR A PARTICULAR PURPOSE. IN NO EVENT WILL STRYKER'S LIABILITY ARISING IN CONNECTION WITH THE SALE OF THE PRODUCT (WHETHER UNDER THE THEORIES OF BREACH OF CONTRACT, TORT, MISREPRESENTATION, FRAUD, WARRANTY, NEGLIGENCE, STRICT LIABILITY OR ANY OTHER THEORY OF LAW) EXCEED THE PURCHASE PRICE, CURRENT MARKET VALUE OR RESIDUAL VALUE OF THE PRODUCTS, WHICHEVER IS LESS. STRYKER SHALL NOT BE LIABLE FOR INDIRECT, SPECIAL, INCIDENTAL, PUNITIVE OR CONSEQUENTIAL DAMAGES RESULTING FROM ANY BREACH OF WARRANTY OR UNDER ANY OTHER LEGAL THEORY.

This warranty shall apply only to the original end-user purchaser of products directly from Stryker or a Stryker authorized distributor. This warranty may not be transferred or assigned without the express written consent of Stryker.

This warranty does not apply to: (1) products that have been misused, neglected, modified, altered, adjusted, tampered with, improperly installed or refurbished; (2) products that have been repaired by any person other than Stryker personnel without the prior written consent of Stryker; (3) products that have been subjected to unusual stress or have not been maintained in accordance with the instructions in the user manual or as demonstrated by a Stryker representative; (4) products on which any original serial numbers or other identification marks have been removed or destroyed; or (5) products that have been repaired with any unauthorized or non-Stryker components.

If a valid warranty claim is received within thirty (30) days of the expiration of the applicable warranty period, Stryker will, in its sole discretion: (1) replace the product at no charge with a product that is at least functionally equivalent to the original product or (2) refund the purchase price of the product. If a refund is provided by Stryker, the product for which the refund is provided must be returned to Stryker and will become Stryker's property. In any event, Stryker's liability for breach of warranty shall be limited to the replacement value of the defective or non-conforming part or component.

If Stryker determines in its reasonable discretion that the claimed defect or non-conformance in the product is excluded from warranty coverage as described hereunder, it will notify the customer of such determination and will provide an estimate of the cost of repair of the product. In such an event, any repair would be performed at Stryker's standard rates.

Products and product components repaired or replaced under this warranty continue to be warranted as described herein during the initial applicable warranty period or, if the initial warranty period has expired by the time the product is repaired or replaced, for thirty (30) days after delivery of the repaired or replaced product. When a product or component is replaced, the item provided in replacement will be the customer's property and the replaced item will be Stryker's property. If a refund is provided by Stryker, the product for which the refund is provided must be returned to Stryker and will become Stryker's property.

The OEM information listed on the label is provided as device ID prior to reprocessing and may contain the trademarks of unrelated third parties that do not sponsor this device.

Sterilization: This product and its packaging have been sterilized with ethylene oxide gas (EtO). Even though the product then is processed in compliance with all applicable laws and regulations relating to EtO exposure, Proposition 65, a State of California voter initiative, requires the following notice:

Warning: This product and its packaging have been sterilized with ethylene oxide. The packaging may expose you to ethylene oxide, a chemical known to the State of California to cause cancer or birth defects or other reproductive harm.

Covidien™ is a registered trademark of Covidien AG.

ForceTriad™, LigaSure™, and LigaSure Impact™ are trademarks of a Covidien company.

VSD EL10031 Rev. J 11/2017 RM702136

Retraité par



Sustainability Solutions

Mode d'emploi


Scellants/diviseurs ouverts LigaSure Impact™ retraits, courbés, à mâchoire large

Dispositif retraité à usage unique

Mise en garde : Selon la loi fédérale américaine (É.-U.), ce dispositif ne peut être vendu que par un médecin ou sur ordonnance médicale.

- STÉRILE
- NON FABRIQUÉ À PARTIR DE LATEX DE CAOUTCHOUC NATUREL

Explication des symboles

 Stérilisé par oxyde d'éthylène



Date du retraitement



Date de péremption



Ne pas réutiliser



Voir le mode d'emploi

LF4318

Compatible avec :

FORCETRIAD SW v3.5 – v4.0

VLFT10GEN SW v1.1 – v2.0.1.13

REMARQUE : Les appareils avec une prise Valleylab ne sont PAS compatibles avec le modèle VLFT10GEN SW v1.1.5.4 ou ultérieur

Description des scellants/diviseurs ouverts LigaSure Impact™ retraités, courbés, à mâchoire large

Les scellants/diviseurs ouverts LigaSure Impact™ retraités, courbés, à mâchoire large (LF4318) sont des instruments électrochirurgicaux bipolaires manuels conçus pour être utilisés avec les générateurs électrochirurgicaux de Covidien dotés de la fonctionnalité de scellement des vaisseaux. Veuillez consulter la page couverture pour obtenir de plus amples détails sur les modèles de générateur et les versions logicielles compatibles. Si la version logicielle de votre générateur est antérieure à celle recommandée, communiquez avec Covidien pour en savoir plus sur les mises à niveau du logiciel.

L'instrument présente un diamètre de tige de 13,5 mm (carré), une longueur de tige de 18 cm et une longueur de mâchoire de 36 mm. La tige de l'instrument possède les commandes suivantes :

- Un levier permettant d'ouvrir et de fermer les mâchoires de l'instrument. Le mécanisme comporte un loquet qui maintient les mâchoires en position fermée durant la coupe et le scellement des vaisseaux.
- Un bouton d'activation pour alimenter le générateur afin de commencer le scellement des vaisseaux.
- Un déclencheur pour actionner l'instrument de coupe.
- Un bouton pour faire pivoter les mâchoires de l'instrument.

Toutes les commandes peuvent être activées de la main droite ou de la main gauche. Le scellement des vaisseaux peut être commencé à l'aide du bouton d'activation ou au moyen d'une pédale connectée au générateur.

Tension nominale maximale : 288 V_{pointe}

Indications

Le scellant/diviseur ouvert LigaSure Impact™ courbé, retraité, à mâchoire large (LF4318) est un instrument électrochirurgical bipolaire spécialisé conçu pour être utilisé lors d'interventions chirurgicales ouvertes dans lesquelles la ligature et la division des vaisseaux est désirée. Le LF4318 est conçu pour être utilisé avec les générateurs électrochirurgicaux de Covidien dotés de la fonctionnalité de scellement des vaisseaux pour couper et sceller les vaisseaux et pour couper, saisir et disséquer les tissus durant l'intervention chirurgicale. Les indications incluent les interventions chirurgicales ouvertes (générale, urologique, vasculaire, thoracique et gynécologique) dans lesquelles la ligature et la division des vaisseaux sont effectuées. Ces interventions comprennent entre autres les hystérectomies vaginales, la fundoplication, la colectomie, l'adhésiolyse et l'oophorectomie. Le LF4318 peut être utilisé sur les vaisseaux (artères, veines, vaisseaux pulmonaires et lymphatiques) jusqu'à 7 mm incluant les faisceaux de tissu.

L'efficacité du système LigaSure™ n'a pas été démontrée en ce qui concerne la stérilisation tubaire ou la coagulation tubaire en vue de procédures de stérilisation. N'utilisez pas le système LigaSure™ pour ces types de procédures.



Partie appliquée de type cf à l'épreuve de la cardioversion

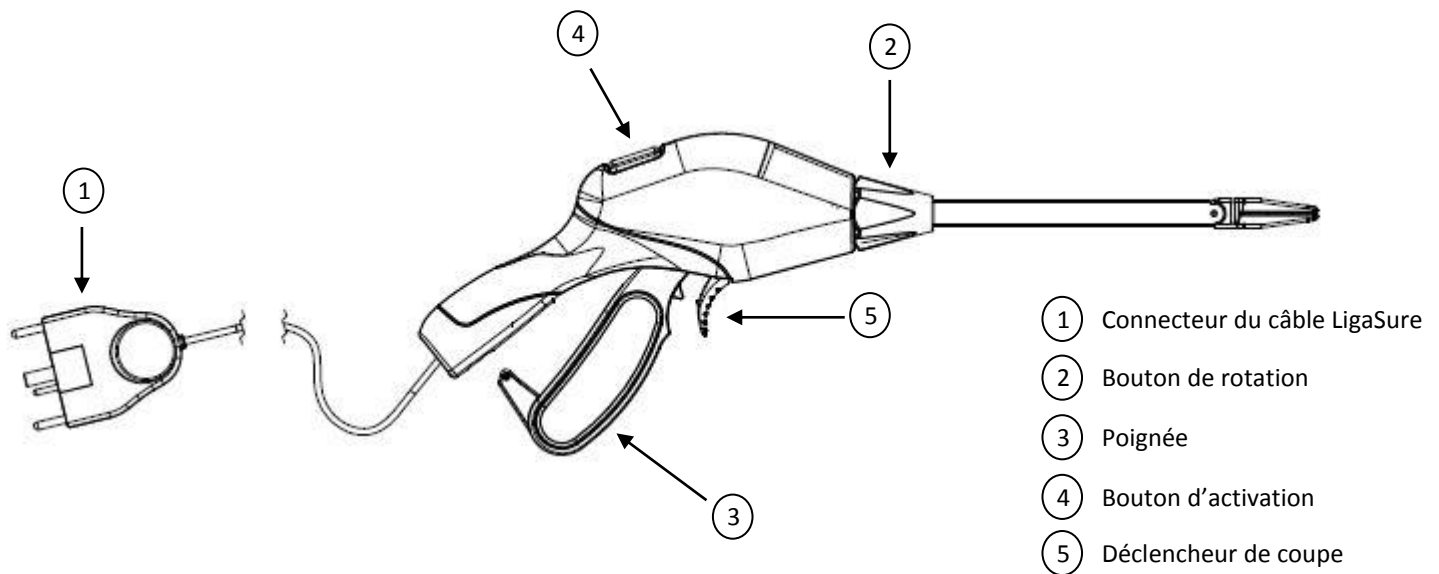
Contre-indications

Le scellant/diviseur ouvert LigaSure Impact™ courbé, retraité, à mâchoire large est contre-indiqué dans les cas suivants :

- Aucun

Avertissements

- L'instrument LF4318 est conçu pour être utilisé UNIQUEMENT avec l'équipement mentionné sur la page couverture de ce document. L'utilisation de cet instrument avec d'autres générateurs pourrait ne pas donner l'effet voulu sur les tissus, pourrait provoquer des blessures au patient ou à l'équipe chirurgicale ou provoquer des dommages à l'instrument.
- N'utilisez pas le système LigaSure sans avoir reçu une formation appropriée concernant son utilisation lors de l'intervention spécifique prévue. L'utilisation de cet équipement sans une telle formation pourrait infliger de graves blessures involontaires au patient.
- Faites preuve de prudence dans les cas chirurgicaux où les patients présentent certains types de pathologies vasculaires (athérosclérose, vaisseaux anévrismaux, etc.). Pour obtenir de meilleurs résultats, appliquez le scellement à des vaisseaux intacts.
- N'utilisez pas cet instrument sur des vaisseaux de plus de 7 mm de diamètre.
- Ces instruments ne doivent être utilisés que par des personnes ayant reçu une formation adéquate et qui connaissent le déroulement de l'intervention spécifique prévue. L'utilisation de cet équipement sans une telle formation pourrait infliger de graves blessures involontaires au patient. Pour obtenir de plus amples renseignements concernant les techniques, les complications et les risques, consultez la littérature médicale.
- L'emballage a été stérilisé à l'oxyde d'éthylène et n'est destiné qu'à un usage unique sur un seul patient. Ne l'utilisez pas si l'emballage est endommagé.



Mode d'emploi

1. Avant de commencer l'intervention, vérifiez la compatibilité générale de tous les instruments et accessoires.
2. Inspectez l'emballage avant de l'ouvrir. Le contenu de l'emballage est stérile si ce dernier n'a pas été compromis. N'utilisez pas l'instrument si la stérilité a été compromise. Si l'emballage est endommagé ou s'il a été ouvert et que l'instrument n'a pas été utilisé, retournez l'instrument et l'emballage à Stryker.
3. Ne tentez jamais de le stériliser à nouveau. Stryker refusera de retraiter des instruments qui ont déjà été retraités et stérilisés par d'autres installations.
4. Retirez l'instrument de l'emballage en tirant fermement sur la poignée, en prenant soin de ne pas tirer sur les mâchoires de l'instrument ou le câble de connecteur. Placez-le sur une surface de travail stérile en utilisant une technique aseptique.
5. Inspectez l'instrument pour vous assurer de son état général et de son intégrité physique. N'utilisez pas l'instrument si vous notez la présence de dommages. Retournez l'instrument et l'emballage à Stryker s'ils sont dans une condition inacceptable pour l'intervention.
6. Conformez-vous à un protocole de chirurgie adéquat.
7. L'instrument est conçu pour être utilisé lors d'une intervention pour un patient unique.

Configuration

Avertissement

- **Risque d'électrocution** - Ne brancher aucun accessoire humide au système LigaSure.
- Confirmez les réglages de la plateforme d'énergie avant de commencer la chirurgie. Avant l'utilisation, inspectez l'instrument et les cordons pour déceler toute trace de rupture, de fissure, d'entaille ou de tout autre. Le défaut d'observer cette mise en garde pourrait entraîner une blessure ou une décharge électrique au patient ou à l'équipe chirurgicale ou provoquer des dommages à l'instrument. Si l'instrument est endommagé, ne l'utilisez pas.
- Positionnez les cordons de l'instrument de façon à éviter tout contact avec le patient ou les autres fils. N'enroulez pas les cordons autour d'objets métalliques. Cela pourrait entraîner des courants qui risquent de provoquer des chocs, des incendies ou des blessures au patient ou à l'équipe chirurgicale.
- Veillez à ce que toutes les connexions à la plateforme d'énergie et à tous les instruments et accessoires soient sécurisées avant de les utiliser. Une connexion inadéquate pourrait provoquer des arcs électriques, des étincelles, un mauvais fonctionnement des accessoires ou des effets chirurgicaux accidentels.
- Insérez le connecteur dans la prise du générateur. Suivez les instructions du guide de l'utilisateur du générateur pour exécuter la procédure de configuration.

Fonction du LigaSure durant une intervention chirurgicale

Avertissement

- **Risque d'incendie** - Ne placez pas les instruments à proximité ou en contact avec des matières inflammables (une gaze ou des champs opératoires, par exemple). Les instruments qui sont activés ou chauds suite à leur utilisation peuvent causer un incendie. Lorsque les instruments ne sont pas en usage, placez-les dans une zone propre, sèche, bien visible qui n'est pas en contact avec le patient. Tout contact accidentel avec le patient pourrait causer des brûlures.

- Utilisez le système avec précaution en présence d'un stimulateur cardiaque interne ou externe. L'interférence produite par l'équipement électrochirurgical peut faire passer un stimulateur cardiaque en mode asynchrone ou bloquer l'effet du stimulateur. Consultez le fabricant du stimulateur cardiaque ou le service de cardiologie de l'hôpital pour obtenir de plus amples renseignements sur une utilisation lors d'une intervention chirurgicale effectuée sur des patients portant un stimulateur cardiaque.
- Les mâchoires peuvent demeurer suffisamment chaudes pour provoquer des brûlures une fois le courant RF désactivé. Lorsque les instruments ne sont pas en usage, placez-les dans une zone propre, sèche, bien visible qui n'est pas en contact avec le patient. Tout contact accidentel avec le patient pourrait causer des brûlures.
- Placez le vaisseau ou le tissu au centre des mâchoires. Pour éviter une étanchéité incomplète, ne saisissez pas les tissus au-delà de la surface de l'électrode, ne placez pas les tissus dans la charnière de la mâchoire.
- Tout contact entre l'électrode d'un instrument actif et un quelconque objet métallique (pinces hémostatiques, agrafes, pinces, rétracteurs, etc.) pourrait augmenter le flux de courant et provoquer des effets chirurgicaux imprévus, comme une réaction à un site imprévu ou une répartition d'énergie insuffisante.
- Les liquides conducteurs (p. ex., le sang ou la solution saline) en contact direct avec un instrument ou à proximité pourraient transmettre un courant électrique ou de la chaleur. Le patient pourrait alors subir des brûlures non intentionnelles. Avant d'activer l'instrument, éliminez tout liquide autour des mâchoires.
- Maintenez toujours la surface externe des mâchoires de l'instrument à l'écart des tissus adjacents lorsque vous activez l'instrument.
- Durant un cycle de fermeture, l'énergie est appliquée à la zone située entre les mâchoires de l'instrument. Cette énergie peut transformer le liquide en vapeur. L'énergie thermique de la vapeur peut provoquer des lésions accidentelles aux zones à proximité des mâchoires. Pour éliminer ce risque, faites preuve de prudence lors des interventions chirurgicales effectuées dans un espace clos.
- N'activez pas l'énergie RF jusqu'à ce que la tige ait été correctement verrouillée. L'activation du dispositif avant cette étape pourrait entraîner une étanchéisation inadéquate et pourrait augmenter la diffusion thermique à des tissus à l'extérieur du champ opératoire.
- N'activez pas l'instrument lorsqu'il est en contact avec d'autres instruments ou à proximité, incluant les canules. Des brûlures localisées pourraient être infligées au patient ou au médecin.
- Gardez le cordon à l'écart de la mâchoire et du loquet de l'instrument.
- Pour assurer un fonctionnement adéquat, éliminez toute tension sur le tissu lors des opérations de coupe et de scellement.
- Ne tentez pas de refermer par dessus des pinces ou des agrafes, car le scellement serait incomplet.
- Si la tonalité indiquant la fin du cycle de scellement n'a pas retenti, cela signifie qu'un scellement optimal n'a pas été obtenu. Réactivez l'énergie RF jusqu'à ce que vous entendiez la tonalité de scellement terminé.

Mise en garde

- Les applications et/ou procédures pédiatriques exécutées sur de petites structures anatomiques pourraient exiger des réglages d'alimentation réduite. Plus le flux de courant est élevé et plus la période où il est appliqué est longue, plus le risque de dommages thermiques imprévus aux tissus est élevé, en particulier lors d'une utilisation sur de petits appendices.
- Activez l'instrument SEULEMENT lorsque vous êtes prêt à administrer un courant électrochirurgical et que vous avez l'embout actif bien en vue.

Manipulation et dissection des tissus

- L'instrument peut être utilisé pour manipuler et disséquer des tissus avec les mâchoires ouvertes ou fermées.

Rotation des mâchoires de l'instrument

- **Avis** - Ne tournez pas le bouton de rotation lorsque la poignée est verrouillée. Vous pourriez endommager l'appareil.
- Tournez le bouton de rotation gris de la pièce à main pour régler la position de la mâchoire au besoin.

Scellement des vaisseaux et faisceaux de tissus

1. Ouvrez les mâchoires en poussant la tige amovible de couleur blanche.
2. Saisissez le vaisseau et/ou le tissu voulu au centre des mâchoires.
3. Fermez la poignée jusqu'à ce qu'elle fasse entendre un dé clic et se verrouille en place.
4. Activez l'instrument à l'aide d'une des méthodes suivantes :
 - Appuyez sur le bouton d'activation violet situé à l'arrière de l'instrument et maintenez-le enfoncé.
 - Utilisez la pédale connectée au générateur.

Consultez le guide de l'utilisateur du générateur pour obtenir les instructions d'utilisation de la pédale.

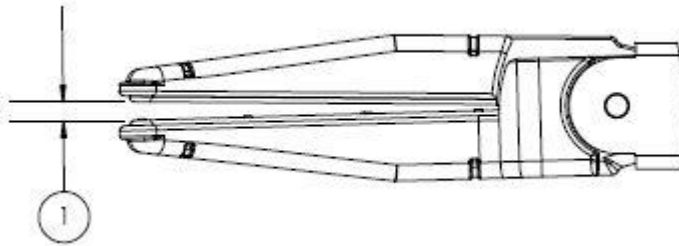
Une tonalité continue retentit pour indiquer que le vaisseau ou le tissu est scellé. Lorsque le cycle d'activation est terminé, une tonalité double se fait entendre et la plateforme d'énergie coupe la sortie RF.

5. Relâchez le bouton d'activation violet ou la pédale lorsque le cycle de scellement est terminé.
6. Pour sceller les tissus adjacents, faites chevaucher les rebords du scellement existant. Pour augmenter la marge du scellement, le second scellement doit être distal au premier. Ne pas faire chevaucher les scellements lorsqu'un second scellement est nécessaire pourrait compromettre l'intégrité du scellement.

Coupe des tissus

Avertissement

Ne remplissez pas les mâchoires de l'instrument avec trop de tissu. Cela pourrait endommager le mécanisme de coupe ou provoquer le déploiement de la lame hors de ses guides, rendant difficile l'ouverture des mâchoires ou infligeant une blessure involontaire à l'utilisateur ou au patient.



① < 2 mm - Confirmez que les mâchoires sont en position fermée avant d'activer l'instrument de coupe.

Mise en garde

Les dispositifs fonctionnant à l'énergie, tels que les crayons ESU ou les scalpels ultrasoniques, associés à la diffusion thermique ne doivent pas être utilisés pour couper les scellements.

Avis - N'enfoncez pas le mécanisme de coupe sur les sutures, les pinces, les agrafes ou tout autre objet métallique, car cela pourrait endommager l'instrument de coupe.

1. Avant de couper le scellement, le chirurgien peut inspecter le vaisseau ou les tissus pour assurer une étanchéisation adéquate : scellement comprimé, translucide ou opaque avec signes de dessiccation et hémostase visible. Si le scellement n'est pas adéquat, répétez le cycle de scellement, en ajustant les paramètres au besoin.
2. Pour introduire le mécanisme de coupe, tirez complètement sur le déclencheur de coupe vers l'arrière en direction du corps de l'instrument. La lame de l'instrument coupe le scellement d'environ 2 mm à partir de l'extrémité distale de la plaque de scellement.
3. Ouvrez les mâchoires en serrant la poignée jusqu'à ce qu'elle se déverrouille, puis poussez-la complètement vers l'avant.

Nettoyage de l'instrument durant son utilisation

Avertissement

N'activez pas l'instrument ou le déclencheur de coupe lors du nettoyage des mâchoires. Cela pourrait provoquer des blessures au personnel de la salle d'opération.

Important : Préservez la propreté des mâchoires de l'instrument. L'accumulation d'escarres pourrait diminuer l'efficacité de scellement et/ou de coupe. Au besoin, essuyez les surfaces et les bords de la mâchoire à l'aide d'un tampon de gaze stérile imbibé d'eau ou de solution saline. Ne nettoyez pas les mâchoires de l'instrument à l'aide d'un tampon à récurer.

Dépannage

Situations d'alerte

- Remarque : Si le bouton d'activation et la pédale sont tous les deux activés pendant le même cycle de scellement, le système de scellement des vaisseaux administre l'énergie à partir de la source d'activation qu'il détecte en premier.
- Une tonalité à impulsions multiples indique que le cycle de scellement n'est pas terminé. Ne coupez pas les tissus jusqu'à ce que l'état du scellement ait été vérifié et trouvé adéquat.
- Lorsqu'une alerte se produit, l'administration d'énergie est interrompue et le scellement est incomplet. Une fois la condition d'alerte corrigée, le dispositif peut être réactivé.

Vérification de l'instrument/cycle de scellement incomplet

Une alerte de vérification de l'instrument/cycle de scellement incomplet produit une séquence de tonalités pulsées et une alerte s'affiche sur le générateur. L'utilisateur doit inspecter le site de scellement et l'instrument avant de continuer. Si l'alerte de vérification de l'instrument/cycle de scellement incomplet s'affiche :

1. Relâchez la pédale ou le bouton d'activation.
2. Ouvrez les mâchoires de l'instrument et procédez à une inspection pour vous assurer que le scellement est adéquat.
3. Exécutez les mesures correctrices apparaissant à l'écran du générateur, sur la carte de référence rapide du générateur ou dans le guide de l'utilisateur du générateur.
4. Si possible, repositionnez l'instrument, ressaisissez les tissus à un autre endroit, puis réactivez le cycle de scellement.

Ressaisissez les tissus plus épais - Pour les tissu minces, ouvrez les mâchoires et confirmez qu'une quantité suffisante de tissu est à l'intérieur des mâchoires. Au besoin, augmentez la quantité de tissus et répétez la procédure.

Vérifiez l'état des pinces/ressaisissez les tissus - Évitez de saisir des objets comme les agrafes, les pinces ou les sutures encapsulées dans les mâchoires de l'instrument.

Conseils de nettoyage des électrodes - Utilisez un tampon de gaze stérile imbibé d'eau ou d'une solution saline pour nettoyer les surfaces et les bords des mâchoires de l'instrument.

Éliminez l'excès de liquide - Réduisez au minimum ou supprimez l'excès de liquide qui s'accumule autour de l'embout de l'instrument.

Alerte Réactivation/cycle de scellement incomplet

Une condition d'alerte de réactivation/cycle de scellement incomplet produit une séquence de tonalités pulsées et une alerte s'affiche sur le générateur.

Si l'alerte de réactivation/cycle de scellement incomplet s'affiche, l'utilisateur doit :

1. Relâchez la pédale ou le bouton d'activation.
2. Réactiver le cycle de scellement sans retirer de leur position d'origine ou les repositionner.

Raisons :

- Le délai maximal du cycle de scellement est atteint. Le système a besoin de davantage de temps et d'énergie pour terminer le scellement.
- Le cycle de scellement/point de fin a été interrompu avant de se terminer. La pédale ou le bouton d'activation a été relâché avant que le cycle de scellement ne soit terminé.

Après une intervention chirurgicale

- Après l'utilisation de l'instrument LF4318, mettez-le au rebut conformément à la politique de l'hôpital en matière de risques biologiques et objets pointus ou tranchants.

Étude préclinique**Avis**

Aucune donnée animale n'est qualifiée pour prédire l'efficacité de ce dispositif dans le scellement des vaisseaux présentant un problème de plaque athérosclérotique.

Le rendement du dispositif a été défini dans un modèle porcin in vivo. Les résultats ont montré qu'aucun animal étudié ne présentait de complications hémostatiques liées au dispositif durant la période de survie de 21 jours. De plus, aucune évidence de lésion thermique ou d'autres dommages liés au dispositif n'a été observé sur les tissus adjacents. Un éventail de types de tissus et de vaisseaux a été évalué pour montrer l'efficacité du scellement dans des artères et des veines d'une taille inférieure ou égale à 7 mm.

L'autorisation des États-Unis pour ce dispositif n'a pas été fondée sur des tests cliniques humains.

Type de vaisseau	Type de vaisseau	Plage de dimensions du vaisseau
Regroupement A/V	Mésentère splénique	Faisceaux pouvant atteindre 2 mm
	Gastrosplénique	4 mm - 6 mm
	Gastrique court	3 mm - 7 mm
Artère	Pédicule ovarien	Faisceaux pouvant atteindre 7 mm
	Splénique	4 mm - 6 mm
	Rénal	Artères pouvant atteindre 7 mm
Veine	Splénique	4 mm - 5 mm
	Rénal	4 mm - 6 mm

Transport et conditions d'entreposage

- Température ambiante de -18 °C à 60 °C.
- Ne pas exposer à une humidité relative inférieure à 15 % ou supérieure à 90 %.

Garantie

Produits retraités

Stryker garantit que tous les produits retraités, sous réserve des exceptions mentionnées aux présentes, sont exempts de défauts dans le retraitement et qu'ils sont essentiellement conformes aux spécifications de produit contenues dans la documentation fournie par Stryker avec les produits concernant un usage unique conforme aux modes d'emploi d'un tel produit.

STRYKER NE PEUT ÊTRE TENU RESPONSABLE D'UN QUELCONQUE DOMMAGE CAUSÉ PAR UNE DÉFECTUOSITÉ DANS LE MATÉRIEL, LA MAIN-D'OEUVRE OU LA CONCEPTION PAR LE FABRICANT D'ORIGINE DU PRODUIT OU PAR TOUT ACTE OU OMISSION DU FABRICANT D'ORIGINE DU PRODUIT.

Produits pour lesquels Stryker est le fabricant d'origine

Stryker garantit que tous les produits pour lesquels il est fabricant d'origine, sous réserve des exceptions mentionnées aux présentes, sont exempts de défauts dans la conception, les matériaux et la main-d'oeuvre et qu'ils sont essentiellement conformes aux spécifications de produit contenues dans la documentation fournie par Stryker avec de tels produits pour une période d'un an à partir de la date de l'achat.

Modalités générales de garantie applicables à tous les produits

DANS TOUTE LA MESURE PERMISE PAR LA LOI, LA GARANTIE EXPRESSE MENTIONNÉE AUX PRÉSENTES EST LA SEULE GARANTIE APPLICABLE AUX PRODUITS ET REMPLACE EXPRESSÉMENT TOUTE AUTRE GARANTIE DE STRYKER, EXPRESSE OU IMPLICITE, INCLUANT, MAIS SANS S'Y LIMITER, TOUTE GARANTIE IMPLICITE OU DE QUALITÉ MARCHANDE OU D'ADÉQUATION À DES FINS PARTICULIÈRES. EN AUCUN CAS LA RESPONSABILITÉ DE STRYKER EN LIEN AVEC LA VENTE DU PRODUIT (QUE CE SOIT DANS LE CADRE DES THÉORIES DE LA RUPTURE D'UN CONTRAT, D'UN TORT, D'UNE FAUSSE REPRÉSENTATION, D'UNE FRAUDE, D'UNE GARANTIE, D'UNE NÉGLIGENCE, D'UNE RESPONSABILITÉ STRICTE OU DE TOUTE AUTRE THÉORIE DU DROIT) NE PEUT ÊTRE SUPÉRIEURE AU PRIX D'ACHAT, À LA VALEUR ACTUELLE DU MARCHÉ OU À LA VALEUR RÉSIDUELLE DES PRODUITS, SELON LE MOINDRE DE CES CAS. STRYKER NE PEUT ÊTRE TENUE RESPONSABLE DE TOUT DOMMAGE INDIRECT, SPÉCIAL, ACCESSOIRE, PUNITIF OU CONSÉCUTIF RÉSULTANT D'UNE QUELCONQUE VIOLATION DE GARANTIE DANS LE CADRE DE TOUTE AUTRE THÉORIE JURIDIQUE.

Cette garantie ne s'applique qu'à l'utilisateur final d'origine des produits achetés directement chez Stryker ou chez un distributeur Stryker agréé. Cette garantie ne peut pas être transférée ou affectée sans le consentement écrit express de Stryker.

Cette garantie ne s'applique pas à : (1) des produits mal utilisés, négligés, modifiés, altérés, ajustés, trafiqués, incorrectement installés ou remis en état; (2) des produits qui ont été réparés par toute autre personne que le personnel de Stryker sans le consentement écrit préalable de Stryker; (3) des produits sujets à un stress inhabituel ou qui n'ont pas été entretenus conformément aux instructions du manuel de l'utilisateur ou tel que démontré par un représentant de Stryker; (4) des produits sur lesquels tous les numéros de série d'origine ou autres marques d'identification ont été retirés ou détruits; ou (5) des produits réparés à l'aide de composants non autorisés ou non fabriqués par Stryker.

Si une réclamation valide au titre de la garantie est reçue dans les trente (30) jours de l'expiration de la période de garantie en vigueur, Stryker pourra, à sa seule discrétion : (1) remplacer le produit sans frais par un produit dont la fonctionnalité est au moins équivalente à celle du produit d'origine ou (2) rembourser le prix d'achat du produit. Si un remboursement est fourni par Stryker, le produit pour lequel le remboursement est décidé doit être retourné à Stryker et deviendra la propriété de Stryker. Dans tous les cas, la responsabilité de Stryker pour une violation de la garantie se limitera à la valeur de remplacement de la pièce ou du composant défectueux ou non conforme.

Si Stryker détermine à sa seule discrétion que la défektivité ou la non-conformité invoquée du produit est exclue de la garantie comme il est décrit aux présentes, elle avisera le client d'une telle décision et lui fournira une évaluation des coûts de réparation du produit. Dans un tel cas, toute réparation sera effectuée aux tarifs standard de Stryker.

Les produits et les composants de produit réparés ou remplacés dans le cadre de cette garantie continueront à être garantis tel que décrit aux présentes durant toute la période de garantie applicable initiale ou, si la période de la garantie initiale est expirée au moment où le produit est réparé ou remplacé, pour une période de trente (30) jours après la livraison du produit réparé ou remplacé. Lorsqu'un produit ou un composant est remplacé, l'article fourni en remplacement deviendra la propriété du client et l'article remplacé la propriété de Stryker. Si un remboursement est fourni par Stryker, le produit pour lequel le remboursement est décidé doit être retourné à Stryker et deviendra la propriété de Stryker.

Les informations concernant le fabricant d'équipement d'origine fournies sur l'étiquette apparaissent sous forme d'ID de dispositif avant le retraitement et pourraient contenir les marques de commerce de tierces parties non liées qui ne commanditent pas ce dispositif.

Stérilisation : Ce produit et son emballage ont été stérilisés à l'oxyde d'éthylène (EtO). Bien que ce produit ait été traité conformément à toutes les lois et à tous les règlements applicables concernant l'exposition à l'EtO, la Proposition 65, une initiative des électeurs de l'État de Californie, requiert l'avis suivant :

Avertissement : Ce produit et son emballage ont été stérilisés à l'oxyde d'éthylène (EtO). L'emballage pourrait vous exposer à l'oxyde d'éthylène, un produit chimique reconnu par l'État de Californie comme cause de cancer ou d'anomalies congénitales ou autres anomalies de la reproduction.

Covidien™ est une marque déposée de Covidien AG.

ForceTriad™, LigaSure™ et LigaSure Impact™ sont des marques de commerce de Covidien.