

stryker®

Neuro Spine ENT

Spine Surgery



Your Specialty Is Our Priority.

Spine Surgery

Neuro Spine ENT



Maestro Drill

5400-200-000

- 75,000 RPM
- More power at lower PSI
- Decreased noise and increased reliability
- Complete OR Standardization

Sumex Drill

5400-130-000

- 75,000 RPM
- Electronic Torque Feed Back (Increases RPM's when the drill is engaged in more demanding tasks)
- Tapered front end (Allows for better line of sight)
- Complete OR Standardization

Maestro Irrigation Console

5400-206-000

- Self-priming
- Controlled flow rates
- Uses same irrigation cassette as Core Electric



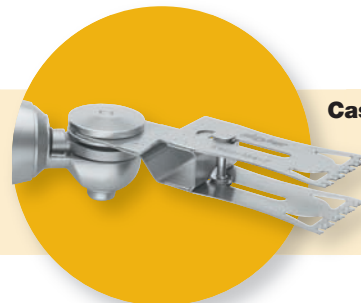
Universal Footpedal

5400-218-000

- Three modes of operation (hand switch, braking, and non-braking options)
- Variable speed control
- Simple set-up



MIS Burs



Caspar Blades

Attachments

| | |
|--------------|---------------------------|
| 5400-210-072 | Maestro Angled AM |
| 5400-210-070 | Maestro Straight AM |
| 5400-210-052 | Maestro Angled M |
| 5400-210-050 | Maestro Straight M |
| 5100-120-952 | SD/PD MIS Long Curved |
| 5100-120-950 | SD/PD MIS Long Straight |
| 5100-120-922 | SD/PD MIS Medium Curved |
| 5100-120-920 | SD/PD MIS Medium Straight |

| | |
|--------------|---------------------------------------|
| 5100-120-490 | SD/PD Series Extra Long Plus Straight |
| 5100-120-482 | SD/PD Series Extra Long Angled |
| 5100-120-480 | SD/PD Series Extra Long Straight |
| 5100-120-472 | SD/PD Series Long Angled |
| 5100-120-470 | SD/PD Series Long Straight |
| 5100-120-452 | SD/PD Series Medium Angled |
| 5100-120-450 | SD/PD Series Medium Straight |

Accessories

| | |
|--------------|------------------------------------|
| 5400 206 001 | Irrigation Console Cord |
| 5400 131 000 | Sumex Handswitch |
| 5400 050 001 | CORE Irrigation Cassettes (pkg/10) |
| 5400 006 000 | Diffuser (pkg/10) |
| 5400 005 000 | Oil Cartridge (pkg/10) |

The information presented in this brochure is intended to demonstrate the breadth of Stryker product offerings. Always refer to the package insert, product label and/or user instructions before using any Stryker product. Products may not be available in all markets. Product availability is subject to the regulatory or medical practices that govern individual markets. Please contact your Stryker representative if you have questions about the availability of Stryker products in your area.

Products referenced with ™ designation are trademarks of Stryker. Products referenced with ® designation are registered trademarks of Stryker.

Literature Number: 1000-927-004 Rev. A UnDe/P.S.

Copyright © 2007 Stryker
Printed in USA

Stryker® Neuro Spine ENT
4100 East Milham Avenue
Kalamazoo, MI 49001 USA
t: 269 323 7700 f: 269 353 3026
toll free: 800 253 3210

www.stryker.com

